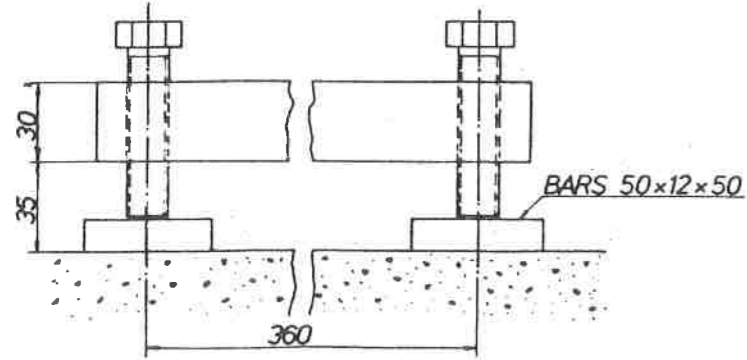


BASE PLATES AND FOUND. BOLTS ARE CUSTOMERS DELIVERY.

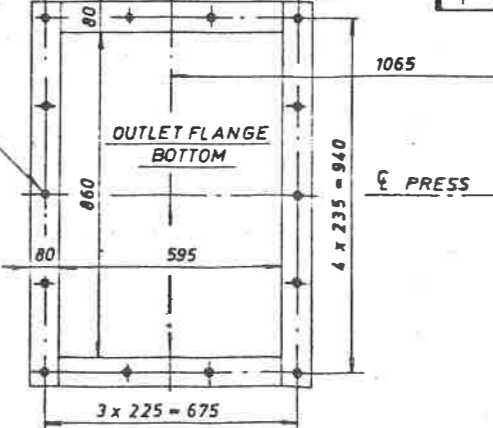
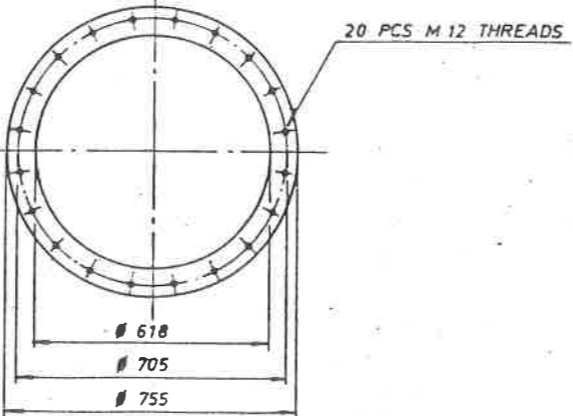
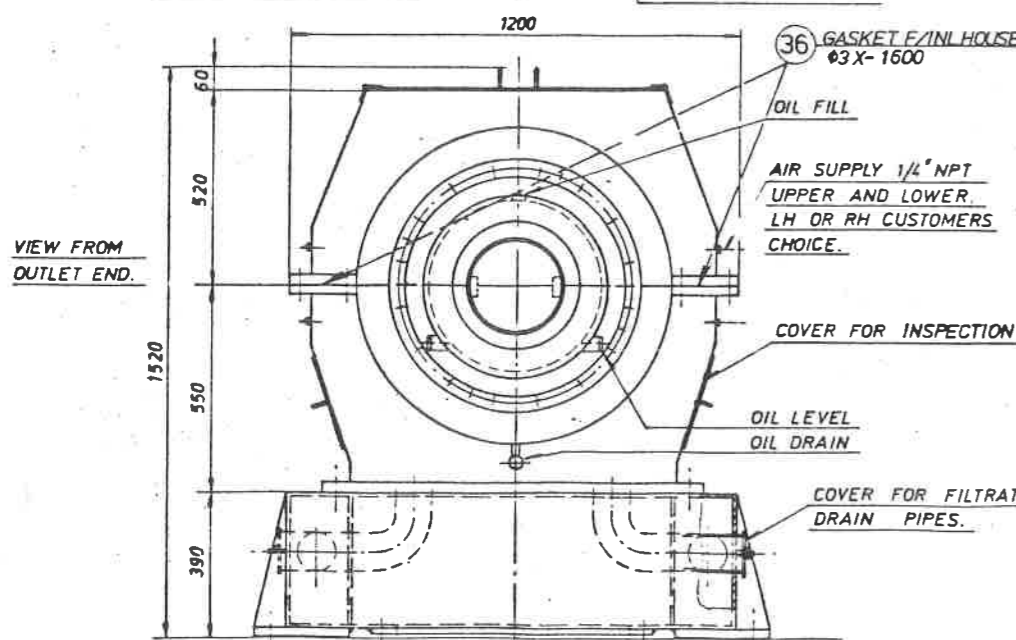
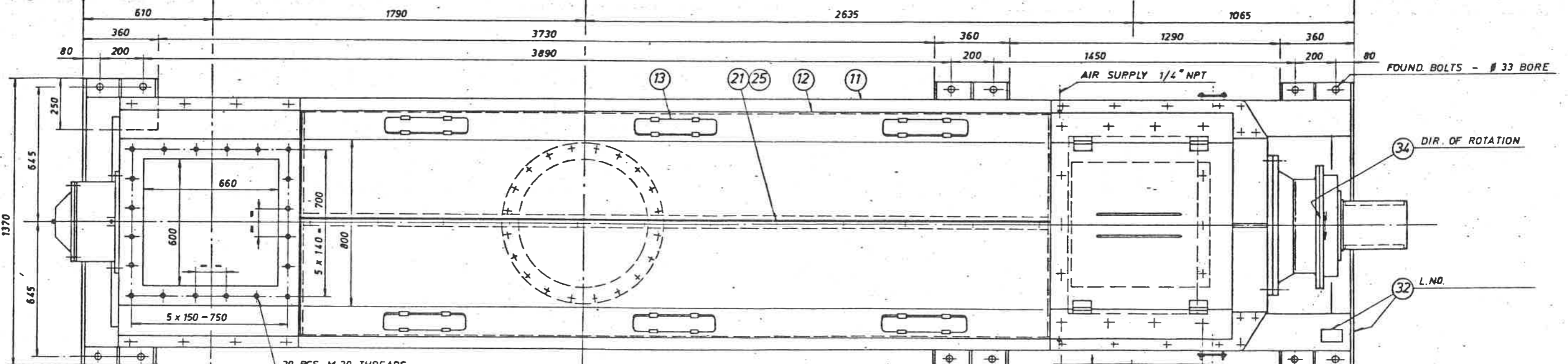
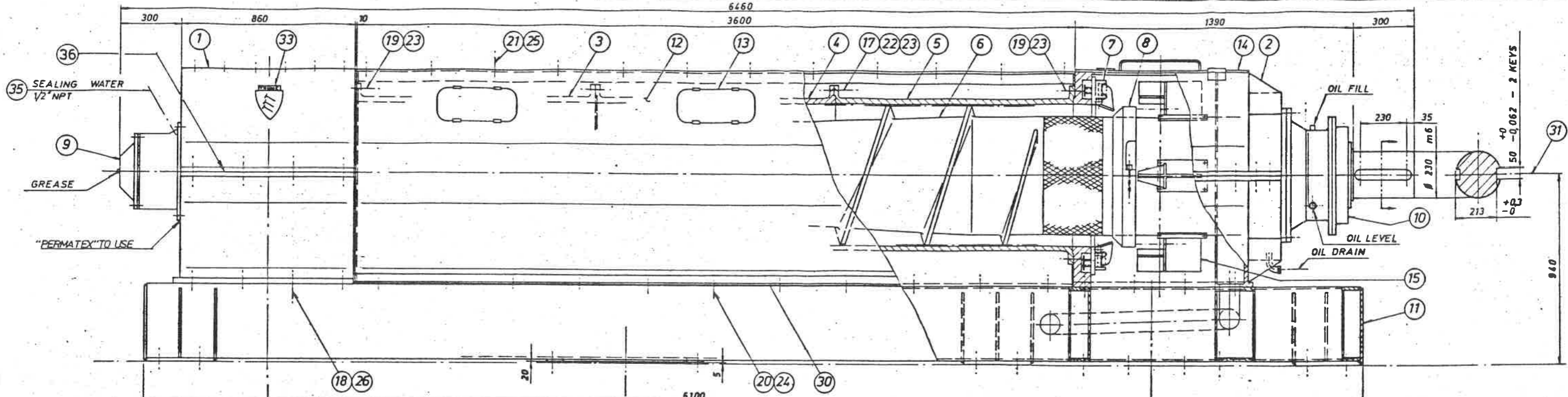
LOAD WITH 150 HP MOTOR 20 RPM			
M <sub>1</sub> NORM 70000 Nm. MAX ±175000 Nm			
BOLT NO	NORM	MAX	REVERSE
6	56000 N	98000 N	49000 N
5	14000 N	49000 N	98000 N
4	70000 N	130000 N	77000 N
3	17000 N	77000 N	130000 N
2	52000 N	84000 N	18000 N
1	21000 N	18000 N	84000 N



Rev.	Rev. No.	Rev. Description	Rev. Date	Rev. By	Rev. Appr.
1	1	Initial Issue	11-17		

Project Name	SP 70 L
Project No.	
Project Location	
Project Status	
Project Manager	
Project Engineer	
Project Designer	
Project Checker	
Project Approver	
Project Date	11-17
Project Scale	1:1
Project Drawing No.	0 45765-003



TØRRSTOFFSMØRNING TYPE CHESTERTON  
KONSEKVENT FOR SKRUEPRESSER

This drawing and the design shown is our property and must not be used or disclosed for any third party without permission.

Saknummer	
-----------	--

Ikke tol.satte mål:	Målestokk original:	Materialekvalitet:	THUNE SCREW PRESS. SP 70L.		
1987 Dato	1:10	SIS 2343-12			
Konstr: 0605	Navn: J.V.M.				
Kontr: 10605	d.l.m.				
00	06.05	1987	1	44762-010	Side:
Disco Sign	Endrings-melding	Disco Sign	THUNE-EMERSON		Av: M